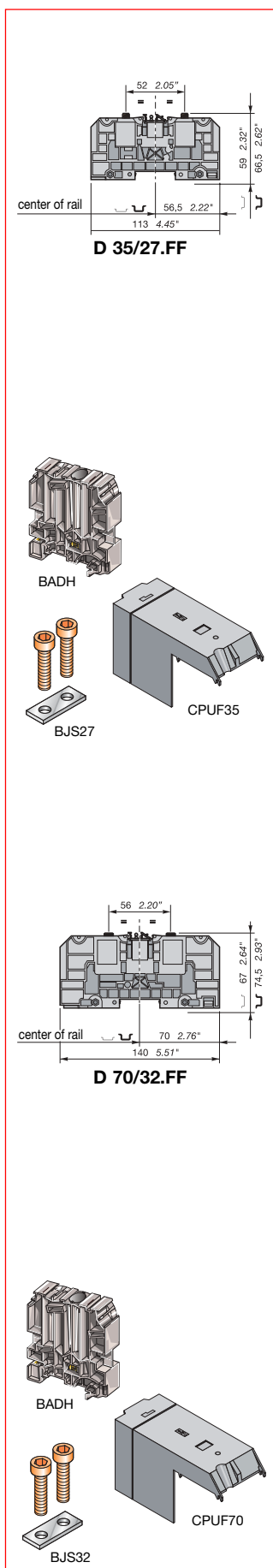


# Power terminal blocks

└─ DIN 3 with bistable foot and base mounting

## D 35/27.FF - 35 mm<sup>2</sup> blocks - 27 mm 1.06" spacing



### Characteristics

		IEC		UL / CSA
		NFC*	DIN**	
Wire size mm <sup>2</sup> / AWG	Lug solid wire	2.5 - 35	2.5 - 50	1 AWG max.
	C4* stranded wire	2.5 - 35	2.5 - 35	
Voltage	V	1000		600
Current	A	125		125
Rated wire size	mm <sup>2</sup> / AWG	35 mm <sup>2</sup>		1 AWG max.
Recommended wrench	Lug	H 10 mm		
	Central screw	6 mm Allen key		
Recommended torque	Lug	3 - 6 Nm / 26.1 - 52 lb.in		
	Central screw	6 - 12 Nm / 52 - 104 lb.in		

\* NFC 20130  
\*\* DIN 46234

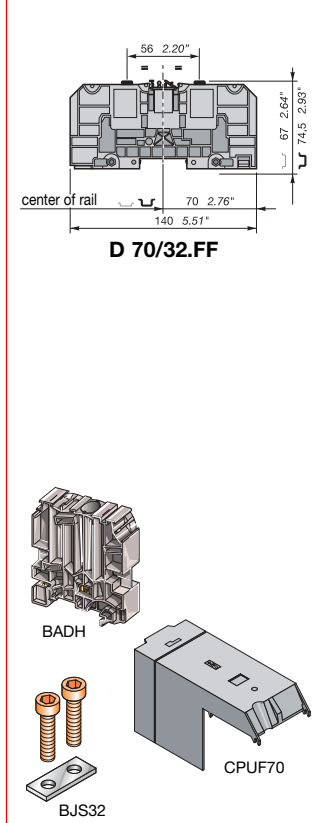
### Selection

Description	Type	Order P/N	Packaging Weight kg
Block 2 studs M6 without cover	grey V0 <input type="checkbox"/> D 35/27.FF	1SNA 190 001 R2000	10
Block 2 studs M6 delivered with two covers	grey V0 <input type="checkbox"/> D35/27.FF	1SNA 190 033 R1700	10

### Accessories

End stop	BADH 12 mm	1SNA 116 900 R2700	50	
Rotating protective cover IP20 V0 grey	<input type="checkbox"/> CPUF35	1SNA 190 016 R1600	10	
Jumper bar with CHc screw	2 poles	BJS27	1SNA 205 772 R1300	5
	3 poles	BJS27	1SNA 205 773 R1400	5

## D 70/32.FF - 70 mm<sup>2</sup> blocks - 32 mm 1.26" spacing



### Characteristics

		IEC		UL / CSA
		NFC*	DIN**	
Wire size mm <sup>2</sup> / AWG	Lug solid wire	6 - 95	6 - 70	000 AWG max.
	C6* stranded wire	6 - 70	6 - 70	
Voltage	V	1000		600
Current	A	192		170
Rated wire size	mm <sup>2</sup> / AWG	70 mm <sup>2</sup>		000 AWG max.
Recommended wrench	Lug	H 13 mm		
	Central screw	6 mm Allen key		
Recommended torque	Lug	6 - 12 Nm / 52 - 104 lb.in		
	Central screw	6 - 12 Nm / 52 - 104 lb.in		

\* NFC 20130  
\*\* DIN 46234

### Selection

Description	Type	Order P/N	Packaging Weight kg
Block 2 studs M8 without cover	grey V0 <input type="checkbox"/> D 70/32.FF	1SNA 190 002 R2100	10
Block 2 studs M8 delivered with two covers	grey V0 <input type="checkbox"/> D 70/32.FF	1SNA 190 034 R1000	10

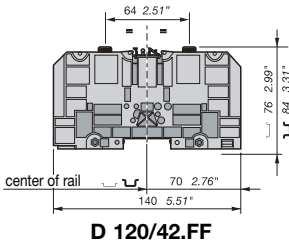
### Accessories

End stop	BADH 12 mm	1SNA 116 900 R2700	50	
Rotating protective cover IP20 V0 grey	<input type="checkbox"/> CPUF70	1SNA 190 017 R1700	10	
Jumper bar with CHc screw	2 poles	BJS32	1SNA 205 774 R1500	5
	3 poles	BJS32	1SNA 205 775 R1600	5

# Power terminal blocks

└ DIN 3 with bistable foot and base mounting

## D 120/42.FF - 120 mm<sup>2</sup> blocks - 42 mm 1.65" spacing

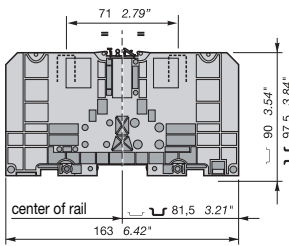


D 120/42.FF

Characteristics		IEC NFC* DIN**		UL / CSA
Wire size mm <sup>2</sup> /MCM	Lug Solid wire	6 - 150	6 - 120	300 MCM max.
	C8* Stranded wire	6 - 120		
Rated voltage	V	1000		600
Rated current nominal	A	269		269
Rated wire size nominal	mm <sup>2</sup> / MCM	120 mm <sup>2</sup>		300 MCM max.
Recommended wrench	Lug	H 17 mm		
	Central screw	6 mm Allen key		
Recommended torque	Lug	10 - 20 Nm / 87 - 174 lb.in		
	Central screw	6 - 12 Nm / 52 - 104 lb.in		

\* NFC 20130  
\*\* DIN 46234

## D 185/55.FF - 185 mm<sup>2</sup> blocks - 55 mm 2.16" spacing

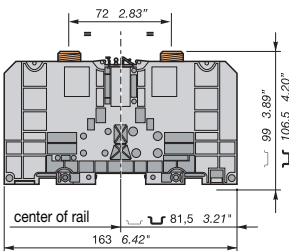


D 185/55.FF

Characteristics		IEC NFC* DIN**		UL / CSA
Wire size mm <sup>2</sup> /MCM	Lug Solid wire	25 - 240	6 - 185	500 MCM max.
	C11* Stranded wire	6 - 185		
Rated voltage	V	1000		600
Rated current nominal	A	353		353
Rated wire size nominal	mm <sup>2</sup> / MCM	185 mm <sup>2</sup>		500 MCM max.
Recommended wrench	Lug	H 19 mm		
	Central screw	6 mm Allen key		
Recommended torque	Lug	14 - 30 Nm / 121 - 261 lb.in		
	Central screw	6 - 12 Nm / 52 - 104 lb.in		

\* NFC 20130  
\*\* DIN 46234

## D 300/55.FF - 300 mm<sup>2</sup> blocks - 55 mm 2.16" spacing



D 300/55.FF

Characteristics		IEC NFC* DIN**		UL / CSA
Wire size mm <sup>2</sup> / MCM	Lug Solid wire	25 - 300	6 - 300	1000 MCM max.
	C4* Stranded wire	6 - 300		
Voltage	V	1000		600
Current	A	520		460
Rated wire size	mm <sup>2</sup> / MCM	300 mm <sup>2</sup>		1000 MCM max.
Recommended wrench	Lug	H 24 mm		
	Central screw	6 mm Allen key		
Recommended torque	Lug	25 - 50 Nm / 217 - 434 lb.in		
	Central screw	6 - 12 Nm / 52 - 104 lb.in		

\* NFC 20130  
\*\* DIN 46234

### Selection

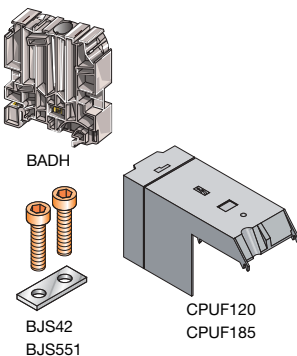
Description	Type	Order P/N	Packaging Weight kg
Standard block without cover			
grey V0	<input type="checkbox"/> D 120/42.FF	1SNA 190 003 R2200	5
Standard block delivered with two covers			
grey V0	<input type="checkbox"/> D 120/42.FF	1SNA 190 035 R1100	5
Standard block without cover			
grey V0	<input type="checkbox"/> D 185/55.FF	1SNA 190 004 R2300	5
Standard block delivered with two covers			
grey V0	<input type="checkbox"/> D 185/55.FF	1SNA 190 036 R1200	5
Block 2 studs M16 without cover			
grey V0	<input type="checkbox"/> D 300/55.FF	1SNA 190 005 R2400	5
Block 2 studs M16 delivered with two covers			
grey V0	<input type="checkbox"/> D 300/55.FF	1SNA 190 037 R1300	5

### Accessories

End stop	BADH	12 mm	1SNA 116 900 R2700	50
Rotating protective cover IP 20	grey V0	<input type="checkbox"/> CPUF120 (1)	1SNA 190 018 R2000	5
	grey V0	<input type="checkbox"/> CPUF185 (2)	1SNA 190 019 R2100	5
Jumper bar	2 poles	BJS42 (1)	1SNA 205 776 R1700	5
with CHc screws	3 poles	BJS42 (1)	1SNA 205 777 R1000	5
Jumper bar	2 poles	BJS551 (2)	1SNA 205 778 R2100	5
with CHc screws	3 poles	BJS551 (2)	1SNA 205 779 R2200	5

(1) Only for block D 120/42.FF

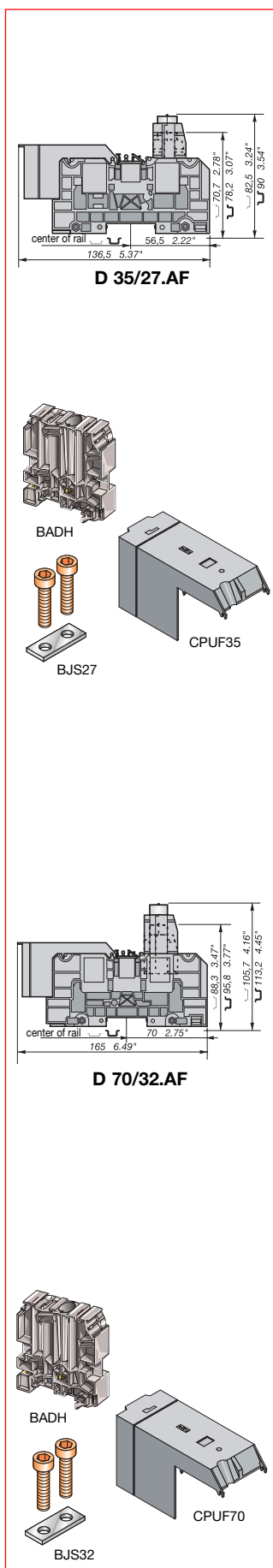
(2) For blocks D 185/55.FF and D 300/55.FF



# Power terminal blocks

↳ DIN 3 with bistable foot and base mounting

## D 35/27.AF - 35 mm<sup>2</sup> blocks - 27 mm 1.06" spacing



### Characteristics

		NFC*	IEC	DIN**	UL / CSA
Wire size mm <sup>2</sup>	Lug	solid wire	2.5 - 35	2.5 - 50	* NFC 20130 ** DIN 46234
	C4*	stranded wire	2.5 - 35	2.5 - 35	
	Wire-clamp	solid wire	2.5 - 40		
		stranded wire	2.5 - 35		
Voltage	V	1000			
Current	A	125			
Rated wire size	mm <sup>2</sup>	35 mm <sup>2</sup>			
Recommended wrench	Lug	H 10 mm			
	Central screw	6 mm Allen key			
	Wire-clamp	5 mm Allen key			
	Wire stripping length	28 mm / 1.10"			
Recommended torque	Lug	3 - 6 Nm / 26 - 52 lb.in			
	Central screw	6 - 12 Nm / 52 - 104 lb.in			
	Wire-clamp	3 - 6 Nm / 26 - 52 lb.in			
	Wire stripping length	28 mm / 1.10"			

### Selection

Description	Type	Order P/N	Packaging Weight kg
Block 1 stud M6 + 1 wire-clamp with CHC M6 screw	grey V0 <input type="checkbox"/> D 35/27.AF	1SNA 190 006 R2500	10

### Accessories

End stop	BADH 12 mm	1SNA 116 900 R2700	50
Rotating protective cover IP20 V0 grey	<input type="checkbox"/> CPUF35	1SNA 190 016 R1600	10
Jumper bar with CHC screw	2 poles	BJS27	1SNA 205 772 R1300
	3 poles	BJS27	1SNA 205 773 R1400

## D 70/32.AF - 70 mm<sup>2</sup> blocks - 32 mm 1.26" spacing

### Characteristics

		NFC*	IEC	DIN**	UL / CSA
Wire size mm <sup>2</sup>	Lug	solid wire	6 - 95	6 - 70	* NFC 20130 ** DIN 46234
	C4*	stranded wire	6 - 70	6 - 70	
	Wire-clamp	solid wire	6 - 95		
		stranded wire	6 - 70		
Voltage	V	1000			
Current	A	192			
Rated wire size	mm <sup>2</sup>	70 mm <sup>2</sup>			
Recommended wrench	Lug	H 13 mm			
	Central screw	6 mm Allen key			
	Wire-clamp	6 mm Allen key			
	Wire stripping length	33 mm / 1.30"			
Recommended torque	Lug	6 - 12 Nm / 52 - 104 lb.in			
	Central screw	6 - 12 Nm / 52 - 104 lb.in			
	Wire-clamp	6 - 12 Nm / 52 - 104 lb.in			
	Wire stripping length	33 mm / 1.30"			

### Selection

Description	Type	Order P/N	Packaging Weight kg
Block 1 stud M8 + 1 wire-clamp with CHC M8 screw	grey V0 <input type="checkbox"/> D 70/32.AF	1SNA 190 007 R2600	10

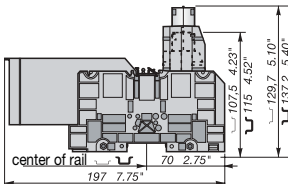
### Accessories

End stop	BADH 12 mm	1SNA 116 900 R2700	50
Rotating protective cover IP20 V0 grey	<input type="checkbox"/> CPUF70	1SNA 190 017 R1700	10
Jumper bar with CHC screw	2 poles	BJS32	1SNA 205 774 R1500
	3 poles	BJS32	1SNA 205 775 R1600

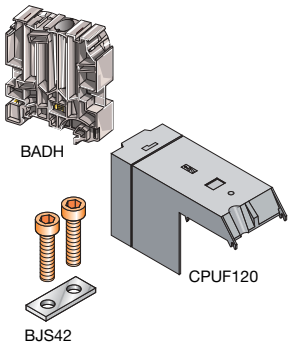
# Power terminal blocks

## └ DIN 3 with bistable foot and base mounting

### D 120/42.AF - 120 mm<sup>2</sup> blocks - 42 mm 1.65" spacing



D 120/42.AF



#### Characteristics

		IEC		UL / CSA	
		NFC*	DIN**		
Wire size mm <sup>2</sup>	Lug	solid wire	6-150	6-120	* NFC 20130 ** DIN 46234
		stranded wire	6-120	6-120	
	Wire-clamp	solid wire	6-150		
		IEC B13 stranded wire	6-120		
Rated voltage	V	1000	1000		
Rated current nominal	A	269			
Rated wire size nominal	mm <sup>2</sup>	120			
Recommended wrench	Lug	H 17 mm			
	Central screw	6 mm Allen key			
	Wire-clamp	8 mm Allen key			
	Wire stripping length	38 mm / 1.50"			
	Recommended torque	Lug	10 - 20 Nm / 87 - 174 lb.in		
Central screw		6 - 12 Nm / 52 - 104 lb.in			
Wire-clamp		10 - 20 Nm / 87 - 174 lb.in			
Wire stripping length		38 mm / 1.50"			

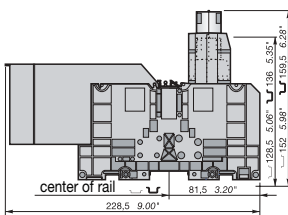
#### Selection

Description	Type	Order P/N	Packaging Weight kg
Standard block with cover grey V0 <input type="checkbox"/>	D 120/42.AF	1SNA 190 008 R0700	5
1 stud M10 + wire clamp with CHc M10 screw			

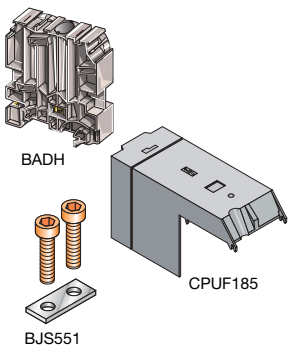
#### Accessories

End stop	BADH 12 mm	1SNA 116 900 R2700	50	
Rotating protective cover IP20 grey V0 <input type="checkbox"/>	CPUF120	1SNA 190 018 R2000	5	
Jumper bar with CHc screw	2 poles	BJS42	1SNA 205 776 R1700	313
	3 poles	BJS42	1SNA 205 777 R1000	314

### D 185/55.AF - 185 mm<sup>2</sup> blocks - 55 mm 2.16" spacing



D 185/55.AF



#### Characteristics

		IEC		UL / CSA	
		NFC*	DIN**		
Wire size mm <sup>2</sup>	Lug	solid wire	25-240	6-185	* NFC 20130 ** DIN 46234
		stranded wire	6-185	6-185	
	Wire-clamp	solid wire	25-240		
		IEC B15 stranded wire	25-185		
Rated voltage	V	1000	1000		
Rated current nominal	A	353			
Rated wire size nominal	mm <sup>2</sup>	185			
Recommended wrench	Lug	H 19 mm			
	Central screw	6 mm Allen key			
	Wire-clamp	10 mm Allen key			
	Wire stripping length	47 mm / 1.85"			
	Recommended torque	Lug	14 - 30 Nm / 121 - 260 lb.in		
Central screw		6 - 12 Nm / 52 - 104 lb.in			
Wire-clamp		14 - 20 Nm / 121 - 174 lb.in			
Wire stripping length		47 mm / 1.85"			

#### Selection

Description	Type	Order P/N	Packaging Weight kg
Standard block with cover grey V0 <input type="checkbox"/>	D 185/55.AF	1SNA 190 009 R0000	5
1 stud M12 + wire clamp with CHC M12 screw			

#### Accessories

End stop	BADH 12 mm	1SNA 116 900 R2700	50	
Rotating protective cover IP20 grey V0 <input type="checkbox"/>	CPUF185	1SNA 190 019 R2100	5	
Jumper bar with CHC screw	2 poles	BJS551	1SNA 205 778 R2100	315
	3 poles	BJS551	1SNA 205 779 R2200	316